

USE WATERPROOF TITEBOND III AT ALL JOINT CONNECTIONS

SPACE END SLATS 5/16" FROM SIDE BOARDS (AT EACH SIDE). THEN EVENLY SPACE SLATS BETWEEN THESE TWO (APPROX. 1 1/16" SPACE BETWEEN THEM)

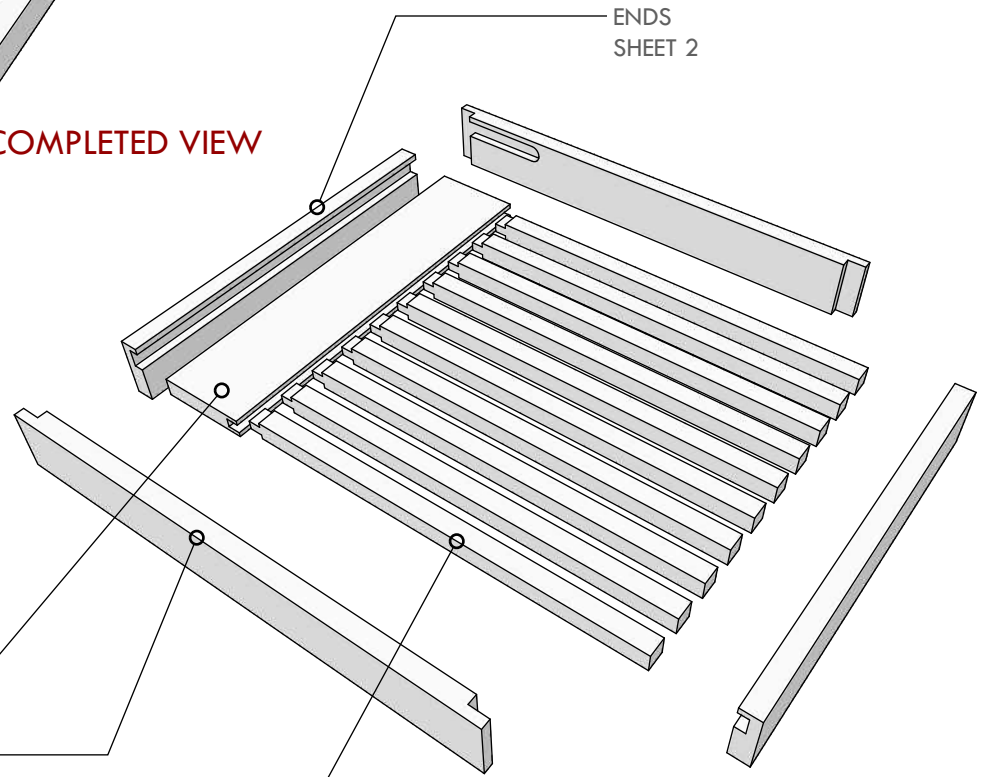
FINISH EXTERIOR WITH PRIMER AND PAINT

USE AN 18 GAUGE 5/8" BRADS (OR SIM) TO NAIL SLATS IN DADO

GLUE THEN STAPLE, NAIL, OR SCREW ENDS.

DRAW CENTERLINE AT END BOARD AND USE 1 1/2" BRADS TO NAIL SLATS IN PLACE (OR NAIL THROUGH TOP WITH 18 GAUGE 5/8" BRADS)

**COMPLETED VIEW**



FLAT BOARD SHEET 3

SIDES SHEET 2

SLATS SHEET 3

ENDS SHEET 2

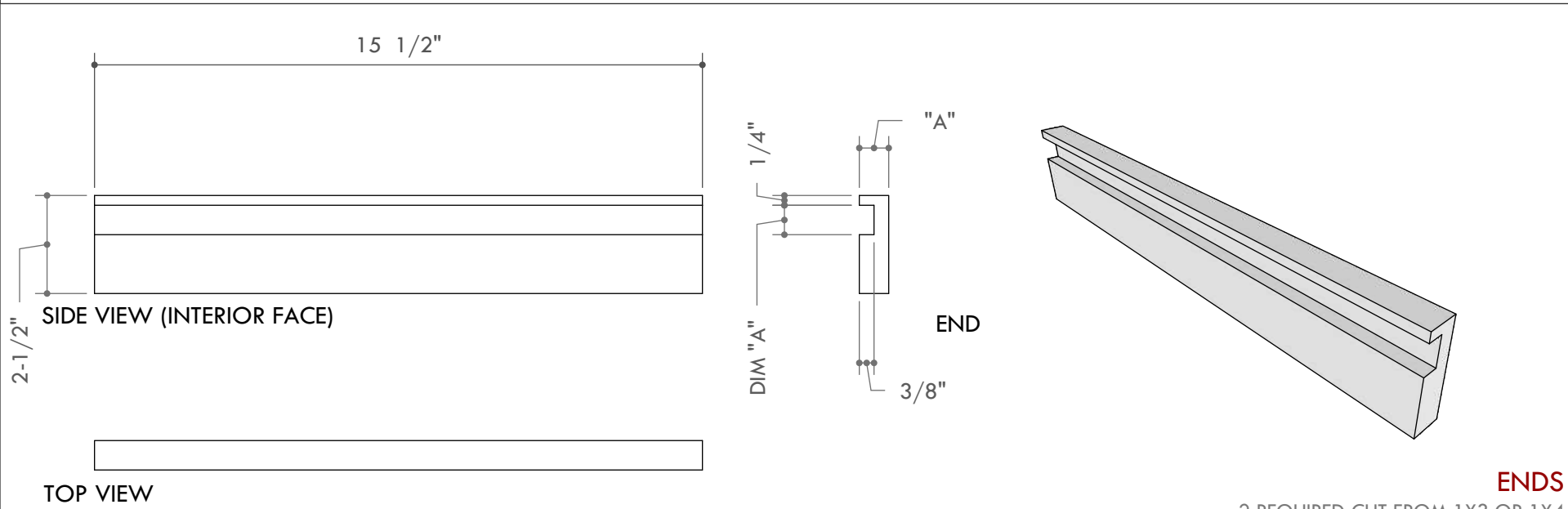
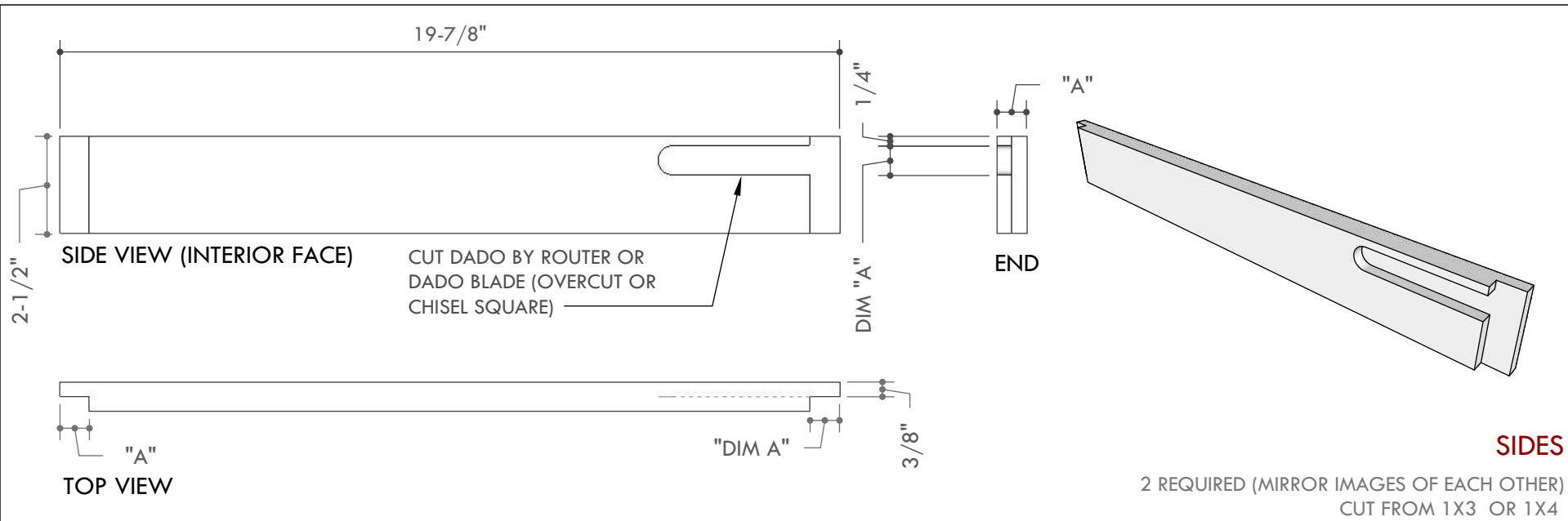
**EXPLODED VIEW**



**MATERIALS NEED:** PURCHASE (1) 1X3X96 (OR 1X4 IF 1X3 NOT AVAILABLE) AND (1) 1X4X96 FOR EACH RACK. (FOR TWENTY RACKS, PURCHASE (20) 1X2X96 AND (15) 1X4X96)

**SLATTED RACK PLANS**  
 ORIGINAL DESIGN BY DAVE MANNING, SPARTA, MI  
 AS DESCRIBED BY RUSTY BURLEW ON [HONEYBEESUITE.COM](http://HONEYBEESUITE.COM)  
 DRAWN BY MATTHEW WADDINGTON, DUVALL, WA  
 CHECKED AND CORRECTED BY TIM TRUDEL, BELLINGHAM, WA

**1**  
 8/15/17  
 9/30/17



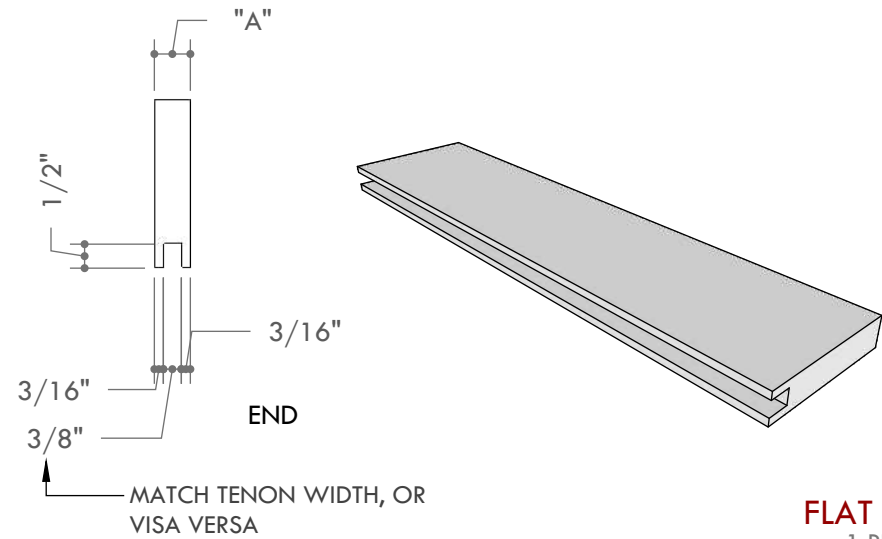
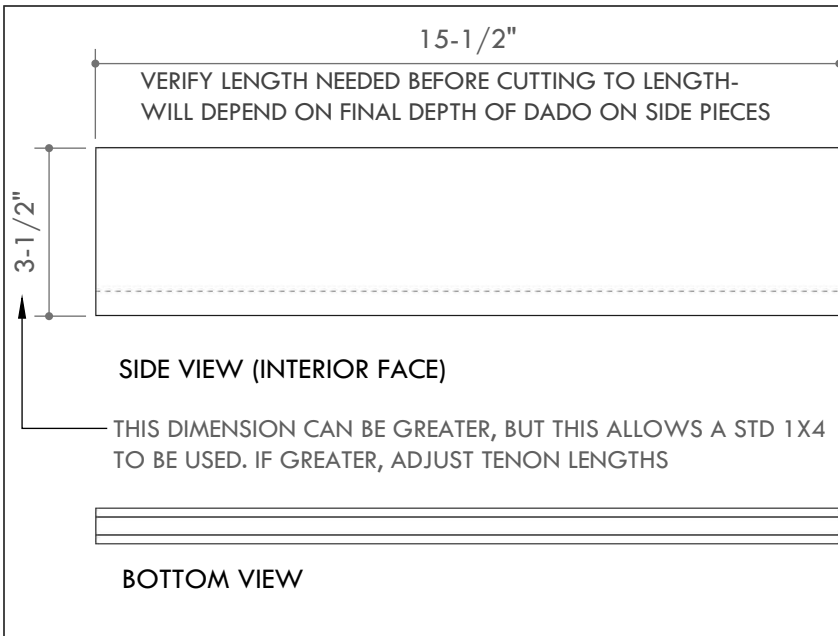
DIMENSION "A" CALLED OUT IN THESE DRAWINGS IS THE THICKNESS OF THE 1X MATERIAL USED. USUALLY THIS IS 3/4", BUT VARIES AND WILL AFFECT OTHER DIMENSIONS.

## SLATTED RACK PLANS

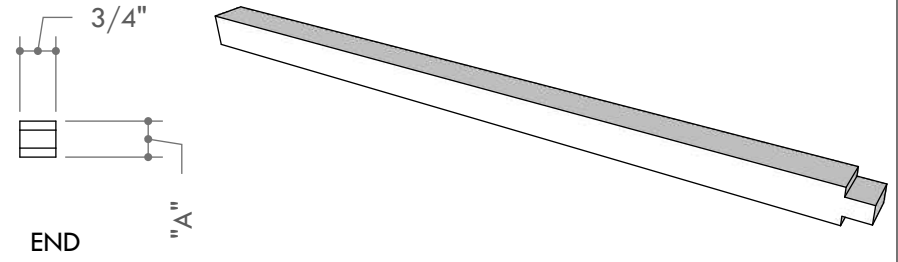
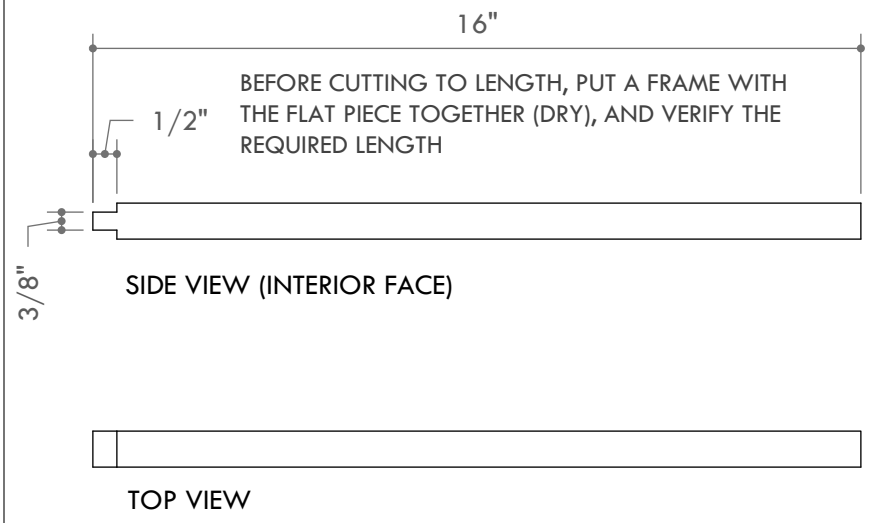
ORIGINAL DESIGN BY DAVE MANNING, SPARTA, MI  
AS DESCRIBED BY RUSTY BURLEW ON [HONEYBEESUITE.COM](http://HONEYBEESUITE.COM)  
DRAWN BY MATTHEW WADDINGTON, DUVALL, WA  
CHECKED AND CORRECTED BY TIM TRUDEL, BELLINGHAM, WA

**2**

8/15/17  
9/30/17



**FLAT PIECE**  
1 REQUIRED  
CUT FROM 1X4



TO MAKE THESE SLATS, START WITH A 1X4 (OR GREATER WIDTH), AND CUT THE TENON ON A TABLE SAW. THEN RIP TO SLAT WIDTH.

**SLAT**  
10 REQUIRED  
CUT FROM 1X4 (OR ANY WIDE 1X MTL)



DIMENSION "A" CALLED OUT IN THESE DRAWINGS IS THE THICKNESS OF THE 1X MATERIAL USED. USUALLY THIS IS 3/4", BUT VARIES AND WILL AFFECT OTHER DIMENSIONS.

**SLATTED RACK PLANS**  
ORIGINAL DESIGN BY DAVE MANNING, SPARTA, MI  
AS DESCRIBED BY RUSTY BURLEW ON [HONEYBEESUITE.COM](http://HONEYBEESUITE.COM)  
DRAWN BY MATTHEW WADDINGTON, DUVALL, WA  
CHECKED AND CORRECTED BY TIM TRUDEL, BELLINGHAM, WA

**3**  
8/15/17  
9/30/17